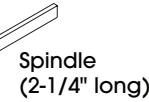
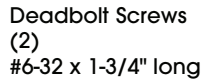
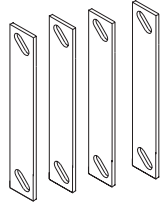
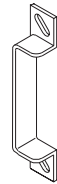
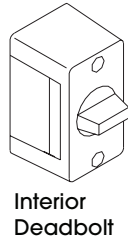
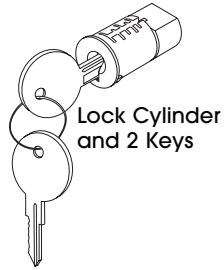
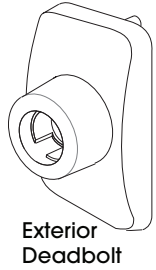


KEYED DEADBOLT INSTALLATION GUIDE

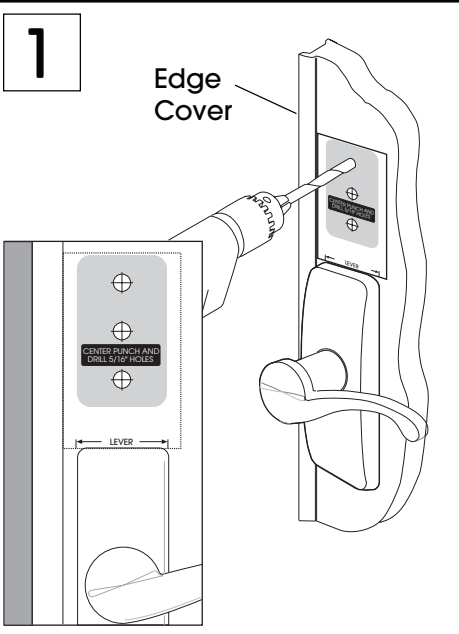
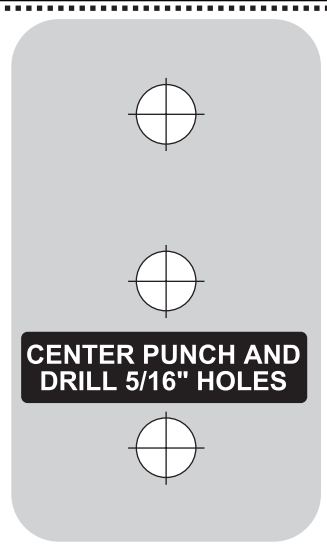
INCLUDED IN THIS KIT:



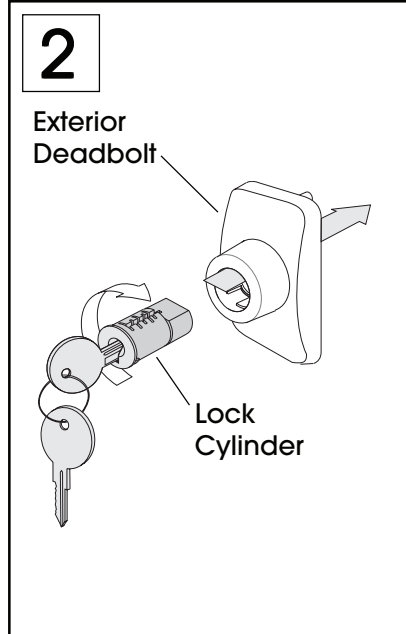
Need a Part? Call our Toll-free Parts Hotline 888-483-3768

TOOLS REQUIRED FOR THIS INSTALLATION:

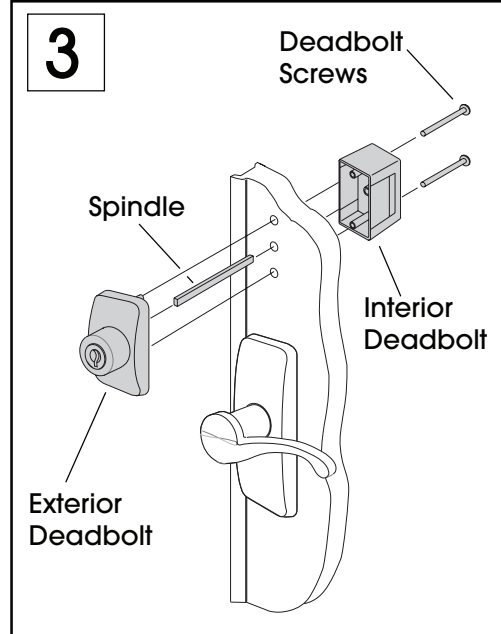
- Electric drill with: 3/32" and 5/16" drill bit
- Screwdriver (Phillips or straight blade)



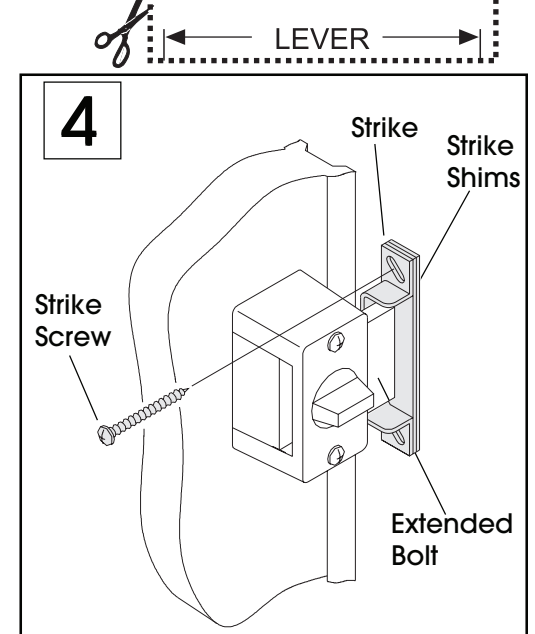
- Cut out the template and tape it directly above the center of the lever plate as shown. (Use the alignment marks on the template.)
 - Center punch and drill with the 5/16" bit at the locations shown on the template.
 - Remove the template from the door.



- Insert one of the keys into the lock cylinder.
 - Slide the lock cylinder into the exterior deadbolt.
 - Turn 180 degrees (halfway) and remove the key. The lock cylinder should now be secured in place.



- Assemble the deadbolt on your door as shown above.



- From the inside, extend the deadbolt to the locked position.
 - Position the strike plate behind the extended bolt and mark the hole locations with a pencil.
 - Pre-drill the marked locations with a 3/32" drill bit.
 - Install the strike plate.
 - Place shims behind the strike if required.