



Multi-Point Latch Assembly Replacement Instructions

202220105

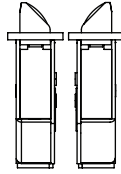
BEFORE YOU BEGIN

Ensure your new multi-point latch assembly's latch bolt is facing the same direction as your old latch assembly. If the latch bolt is not facing the correct direction, remove the latch bolt screw with a phillips screwdriver and rotate the latch bolt to match your old latch assembly. Reinstall the latch bolt and screw.

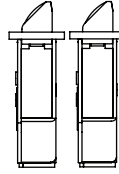
If the latch bolt does not need to be flipped, skip this step. The Multi-Point lock has a latch bolt screw visible on the side. Remove the latch bolt screw, which will allow you to remove the latch bolt. Turn the latch bolt over to match the old orientation then re-install the latch bolt screw.

NOTE: A Phillips screwdriver will be needed to flip the latch bolt.

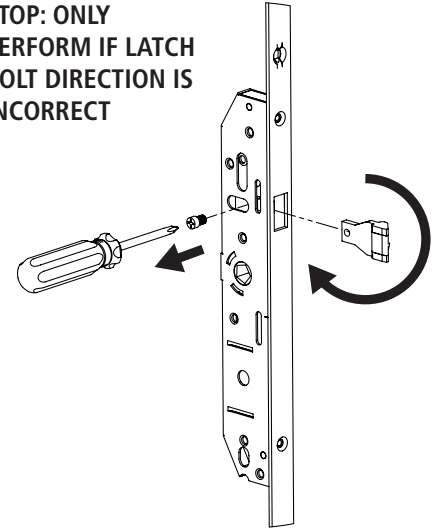
INCORRECT



CORRECT



STOP: ONLY PERFORM IF LATCH BOLT DIRECTION IS INCORRECT

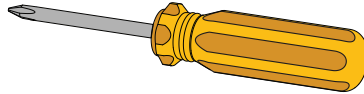


Recommended Tools

You will need a few tools to help with your multi-point hardware replacement.



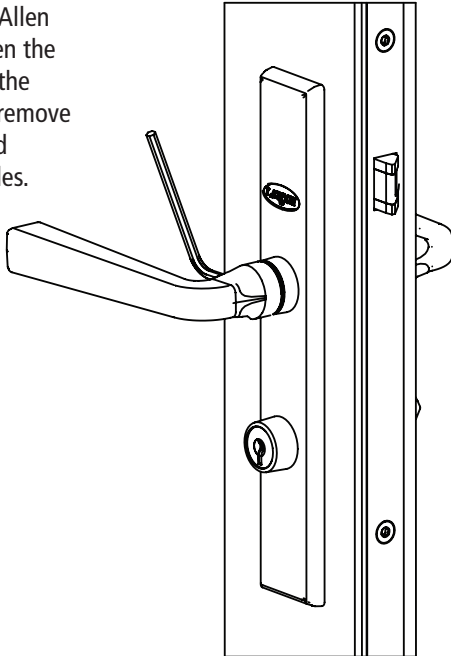
1/8" Allen Wrench



#2 Phillips Screwdriver

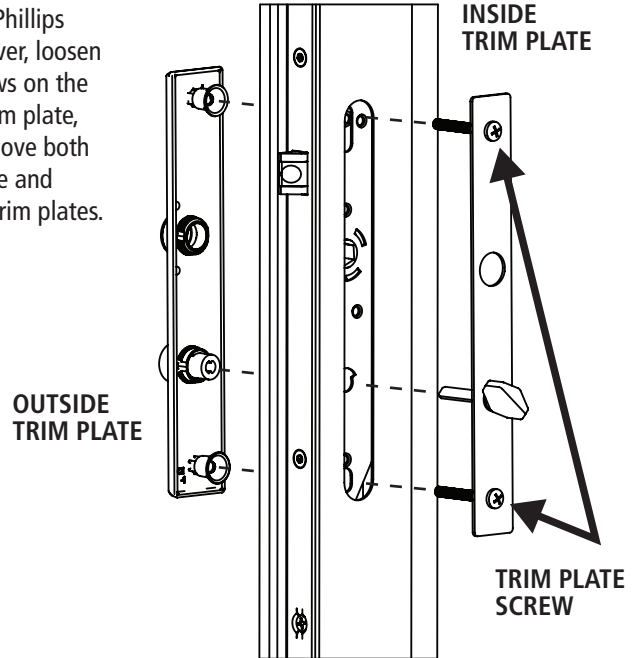
1 REMOVE HANDLES

Using a 1/8" Allen wrench, loosen the set screw on the handle, then remove the inside and outside handles.



2 REMOVE TRIM PLATES

Using a Phillips screwdriver, loosen the screws on the inside trim plate, then remove both the inside and outside trim plates.



For any questions, or additional support,
CONTACT OUR CUSTOMER CARE TEAM
at LARSONdoors.com or 888-483-3768



Multi-Point Latch Assembly Replacement Instructions

3 REMOVE THE MULTI-POINT LATCH ASSEMBLY

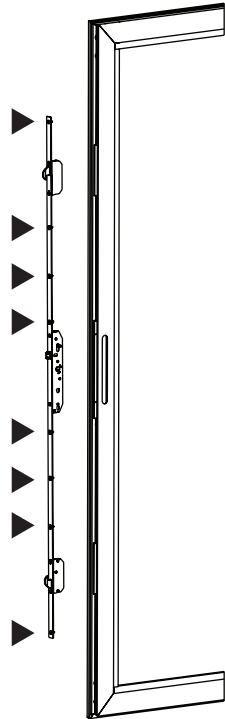
With the door open, remove the eight screws from the multi-point assembly, then remove the multi-point latch assembly.

NOTE: DO NOT remove the star head screws.

REMOVE



DO NOT REMOVE

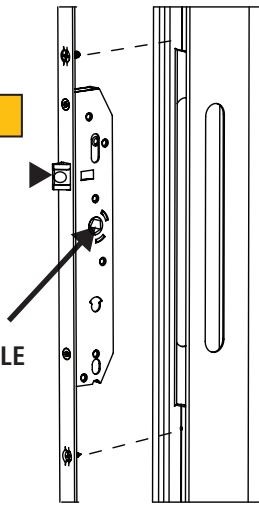


4 INSTALL NEW MULTI-POINT LATCH ASSEMBLY

Insert new multi-point latch assembly into the edge of the door. Make certain the latch bolt is positioned above the handle hole.

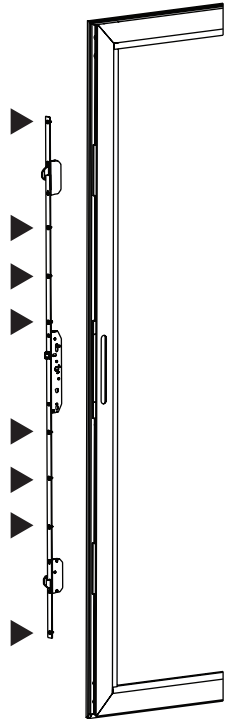
UP

HANDLE HOLE



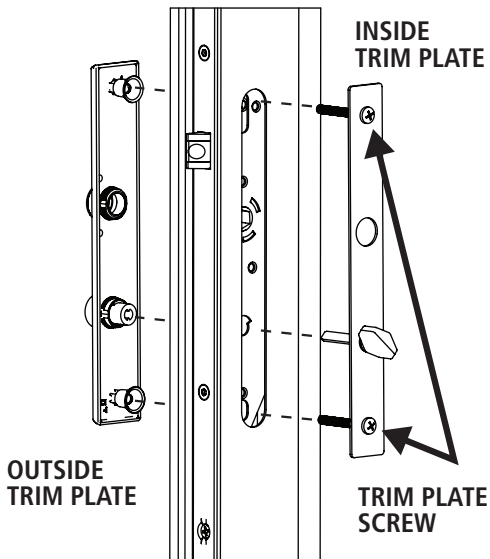
5 SECURE THE MULTI-POINT LATCH ASSEMBLY

Secure your new multi-point latch assembly with the provided screws into the existing 8 screw holes. Do not overtighten.



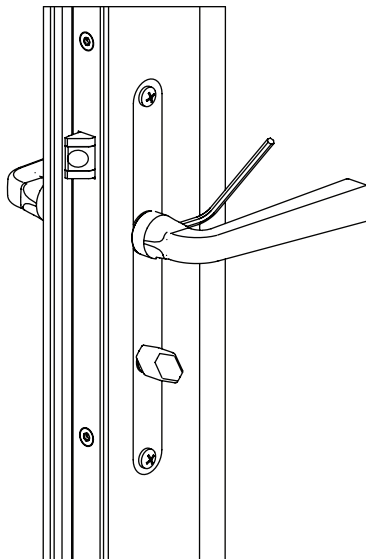
6 RE-INSTALL TRIM PLATES

Using your Phillips screwdriver, re-install the inside and outside trim plates onto the door. Do not overtighten.



7 RE-INSTALL HANDLES

Push the handles together and tighten the set screw with a 1/8" Allen wrench.



8 TEST THE HANDLE OPERATION

If the handle binds, loosen the 8 screws along the edge of the multi-point latch assembly by a quarter turn.

