



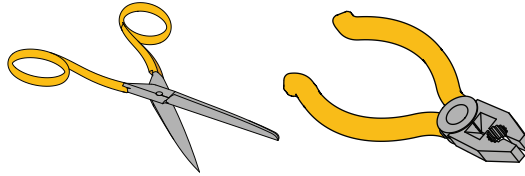
Screw Cover Replacement Instructions

202220107

BEFORE YOU BEGIN

You will need a few tools to help with your Platinum Collection, screw cover replacement.

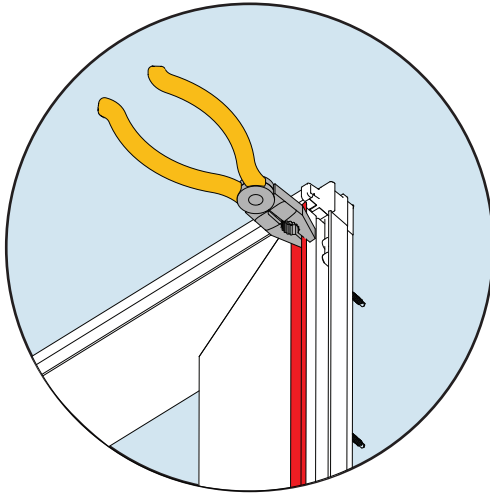
Recommended Tools



1 REMOVE SCREW COVERS

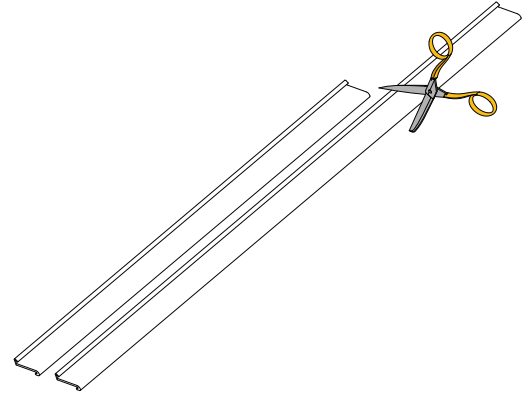
1a
Open the screw covers.

1b
With your pliers, grab one end of the cover and twist away from the door until the screw cover fully detaches from the channel.



2 TRIM NEW SCREW COVERS

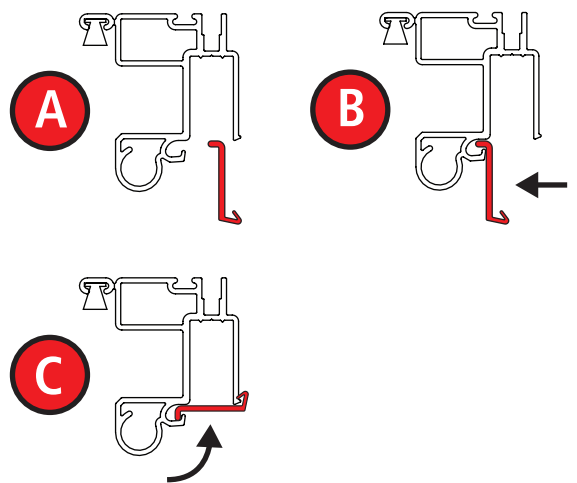
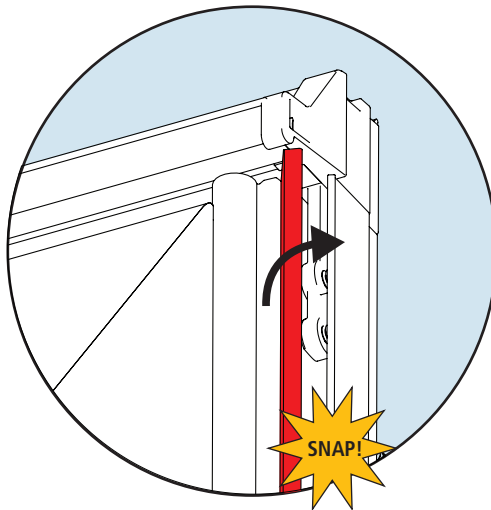
Using your scissors, trim the new screw covers to the same length as the old screw cover.



3 INSERT NEW SCREW COVERS

3a
Guide one edge of the new screw cover into the channel as you snap the other edge closed, working along every few inches.

3b
Repeat on the other side



For any questions, or additional support,
CONTACT OUR CUSTOMER CARE TEAM
at LARSONdoors.com or 888-483-3768