



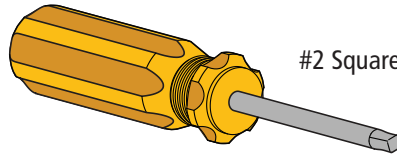
Jamb Basket Replacement Instructions

202220108

BEFORE YOU BEGIN

You will need a few tools to help with your jamb basket replacement.

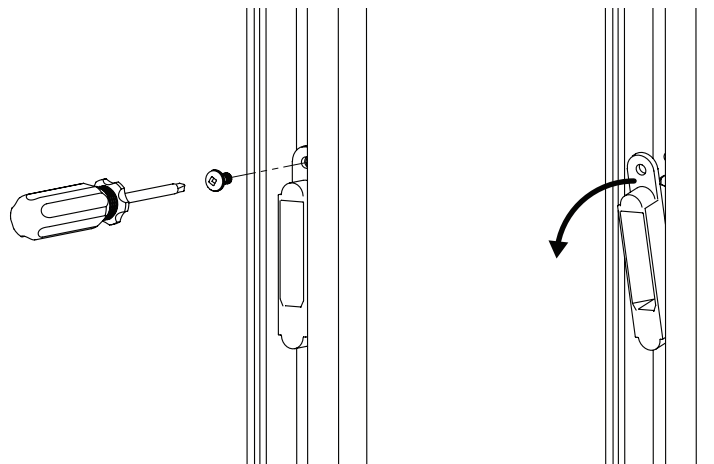
Recommended Tools



#2 Square drive screwdriver

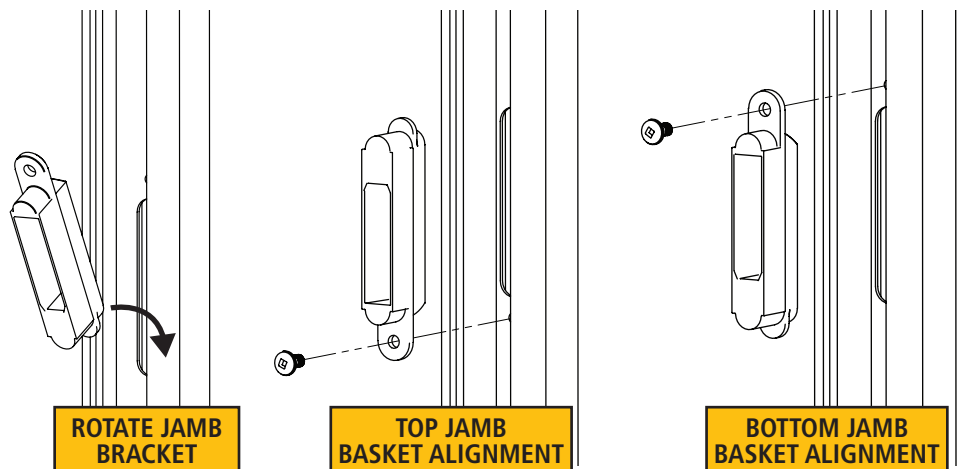
1 REMOVE JAMB BASKETS

Using the #2 square screwdriver, remove the one screw on your jamb basket. Once the screw is removed, rotate and remove the jamb basket. Repeat for the second jamb basket.



2 INSTALL NEW JAMB BASKETS

Position the jamb basket, then rotate to align the basket's screw hole. To install, insert the non-screw tab in first, then rotate into place. Secure the jamb basket with the provided square head screw.



For any questions, or additional support,
CONTACT OUR CUSTOMER CARE TEAM
at LARSONdoors.com or 888-483-3768