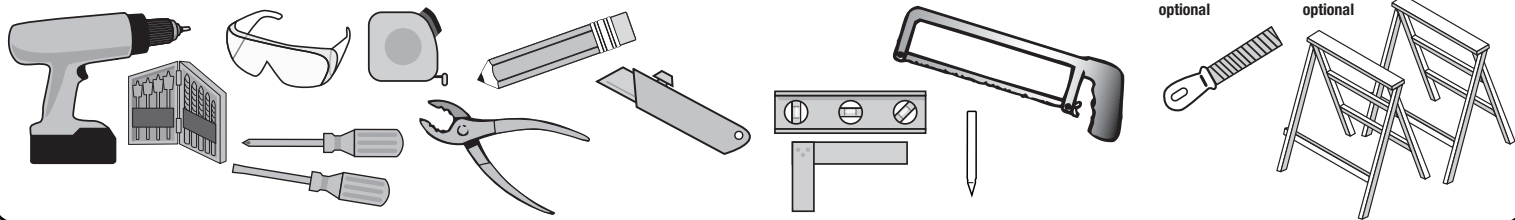


Recommended Tools



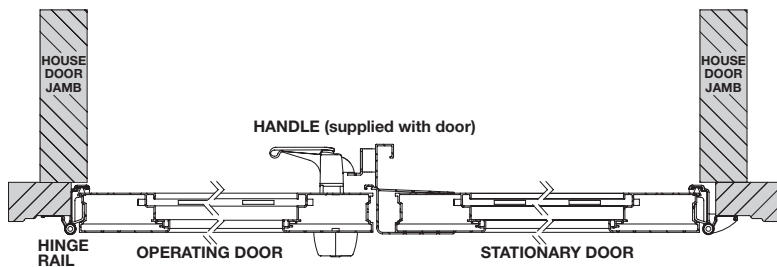
With a French Door Installation, you will have one Left Hinge door and one Right Hinge door. The astragal included in your French Door Kit replaces the latch side mounting rail included with each door. The top drip caps included with your doors will not be used.

Follow the Installation Instructions packaged with your doors, Steps 1 – 4. Use this double door size chart for Step 1b.

Two standard width nominal size	Fits opening Width Min. – Max.	Fits opening Height Min. – Max.
32" x 81"	63-1/2" – 64-1/8"	80" – 81"
36" x 81"	71-1/2" – 72-1/8"	

Locate the drip cap included with the French Door Kit. Pre-drill five holes with 1/8" drill bit, evenly spaced as shown in Figure 1.

2 Top Down View



Place the drip cap on the door frame above the storm doors, centered in the opening.

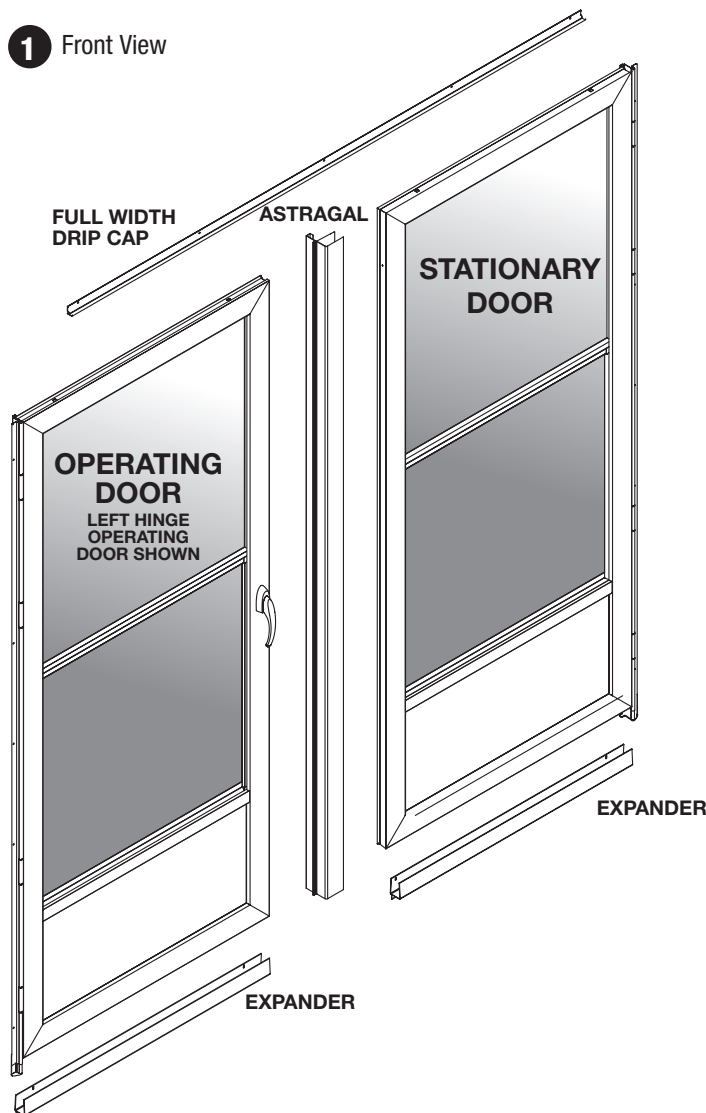
Close doors to verify consistent clearance between the top of the doors and the drip cap.

Pre-drill through the pilot holes you created, and then fasten with #8 x 1" painted screws provided with the doors.

In the center of your opening, between the two doors, measure from the bottom of the drip cap to the sill. Deduct 1/16". Cut the astragal to this length.

Determine which door will be operable and which door will be stationary.

1 Front View



Notch the top of the astragal as shown in Figures 3 and 4. Note that the notched end depends on which door is the stationary door.

Slide astragal onto the stationary door, adjusting to create 1/8" reveal between the astragal and operable door.

On the inside surface of the astragal, pre-drill 4 holes along the score line with 3/32" bit. Fasten the astragal to the door with 4 #6 x 5/8" painted screws included with the French Door Kit.

On the outside surface of the astragal, pre-drill 4 holes each 1/2" from edge, mirroring the inside screws. Fasten with 4 #6 x 5/8" painted screws. (This step is optional, but eliminating the exterior screws could cause the astragal to rock, creating rub marks on the door).

Place the slidebolt on the astragal as shown in Figure 5, and drill 3/32" pilot holes. Remove burrs around the drilled hole.

Assemble and attach with provided screws.

Mark where the slidebolt contacts the door frame head. Drill 1/2" hole in door frame for bolt to engage.

Repeat at the sill.

Attach slidebolt receivers over these holes. Note: there are two versions provided; choose the one you prefer.

Install the door handle on the operating door using the template and instructions included in the handle kit. Attach the latch strike to the astragal.

Install and secure expander on the operable door. Refer to door instructions.

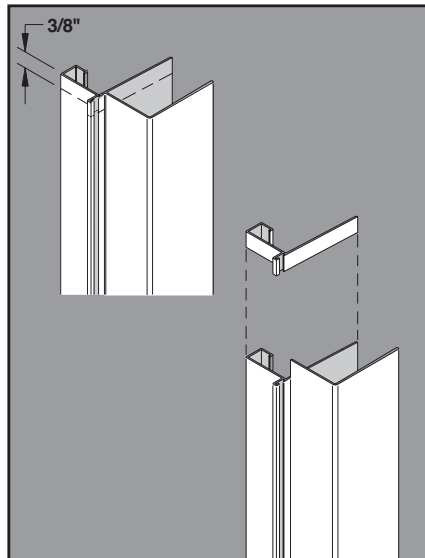
Measure the width of the stationary door from the edge to the astragal. Trim the expander to this length.

Install and secure expander on the stationary door.

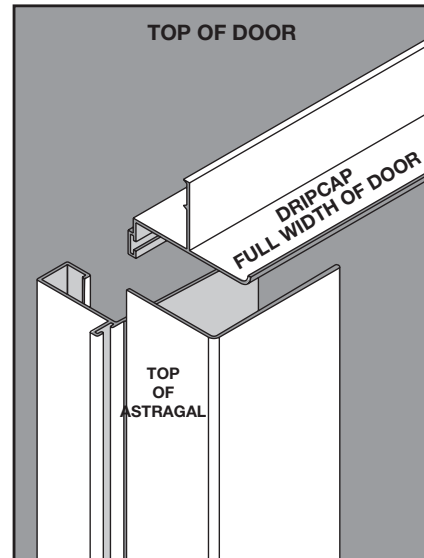
Install the closers, following the instructions in the hardware closer kit.

LEFT DOOR OPERABLE (Right Door Stationary)

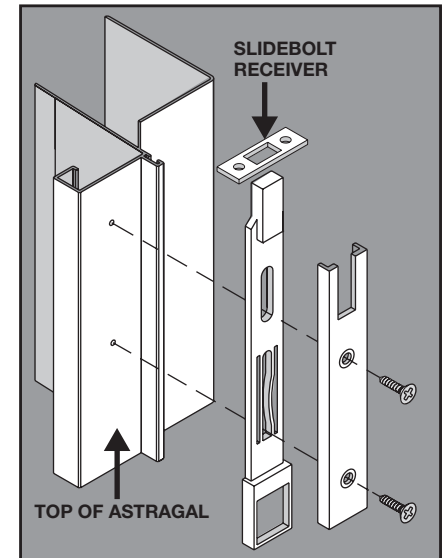
3 Astragal Notching



4 Astragal Drip Cap Intersection



5 Slidebolt Mounting on Astragal



RIGHT DOOR OPERABLE (Left Door Stationary)

