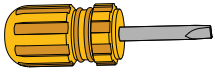




Anti-Bow Clip Replacement Instructions

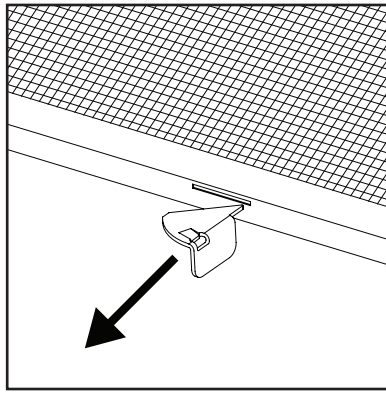
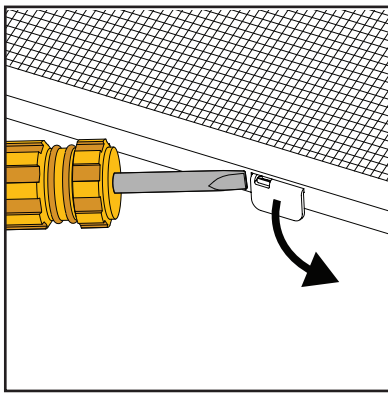
202221044

Recommended Tools



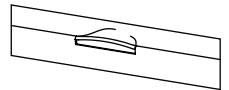
1 REMOVE CLIPS

Using a flathead screwdriver, pry between the screen frame and the clip, near the retention tab to remove clips.

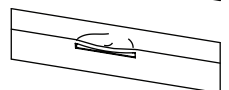


2 INSPECT FOR DEFORMATION

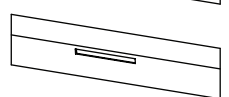
NO



NO



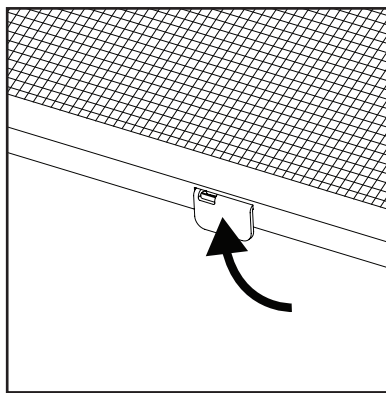
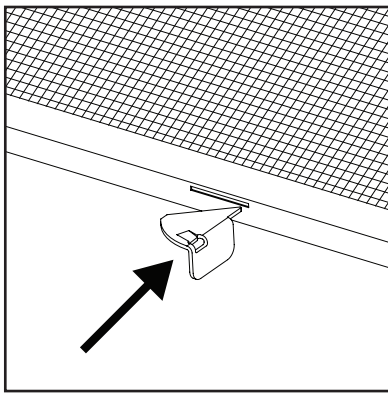
YES



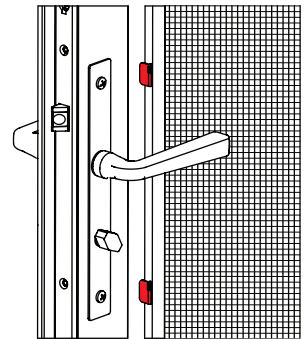
Inspect the slot in the screen for signs of deformation. Use a flat head screwdriver to bend any material that might need adjusting. **TIP:** If the slot is just opened up in the center, squeeze the frame with your hand to tighten up the slot.

3 INSTALL CLIPS

With the flange of the clip facing the exterior of the screen frame, install the new anti-bow clips by inserting the point and then rotating it towards the frame until it clicks into place.



4 INSTALL SCREEN



When using the screen, the anti-bow clips should be facing your home's exterior to lock the clips into the door frame's channels. You may need to gently expand the screen in the center to correctly place the clips.

For any questions, or additional support,
CONTACT OUR CUSTOMER CARE TEAM
at LARSONdoors.com or 888-483-3768