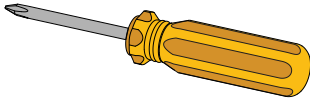




Platinum RS - Interlock Replacement Instructions

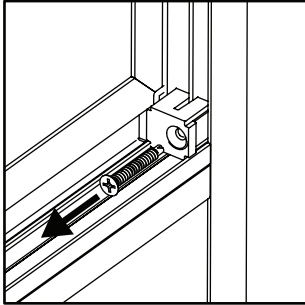
202221045

Recommended Tools



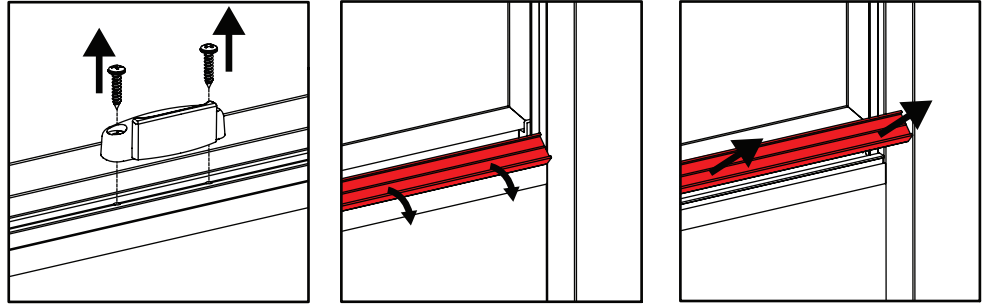
Phillips
Screwdriver

1 REMOVE ANCHORS



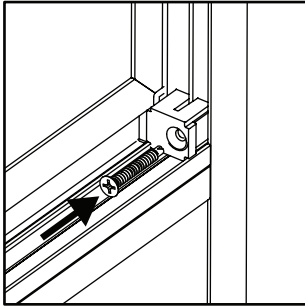
Remove Interlock Anchors & Screws. Repeat for other side and save Anchors and Screws for later use.

2 CHECK INTERLOCK PLACEMENT



Check if Interlock Rail is dislodged. If in place, move to Step 3. If Interlock Rail is dislodged, remove Sash Lock, Sash Lock Screws, and Interlock Rail (pivot towards you). Reinstall Interlock Rail by inserting the pivot leg at an angle (30-45 degrees), and rotate towards the door. After Interlock Rail is in place, re-install the Sash Lock with screws previously removed.

3 INSTALL ANCHORS



Install New Anchors & Screws. Press each Anchor into the door frame, just above the Interlock Rail. The screw hole should be in the channel closest to you on both sides. Use the screws previously removed to secure each Anchor.

For any questions, or additional support,
CONTACT OUR CUSTOMER CARE TEAM
at LARSONdoors.com or 888-483-3768