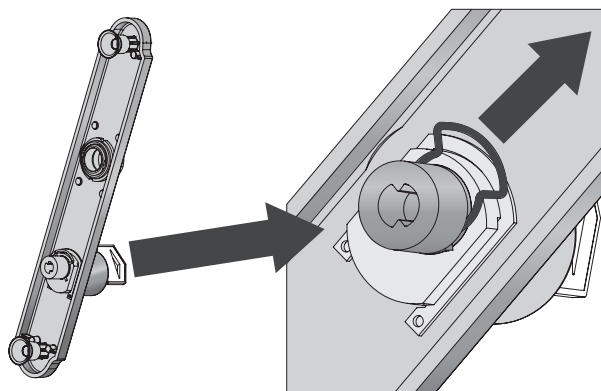


# Re-Keying Instructions

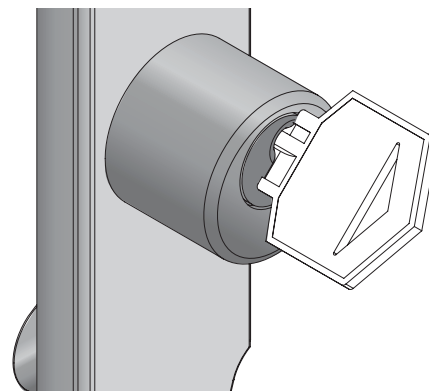
QuickFit™ style handle sets

## BEFORE STARTING:

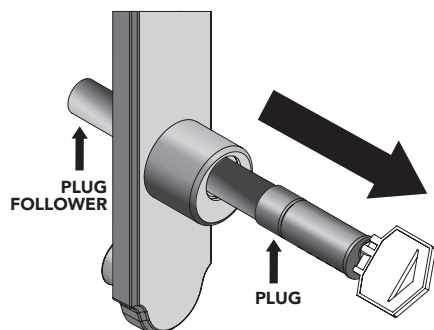
Verify if original key is a Kwikset or Schlage type. QuickFit™ Rekeyable kits are Kwikset or Schlage



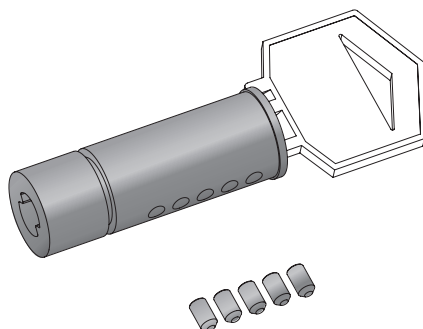
**1** Using a flat screwdriver, remove the plug retaining clip. **Use care not to deform clip.**



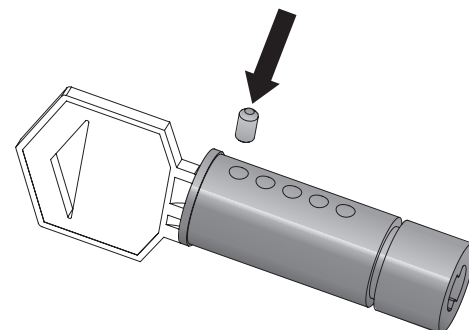
**2** Insert the original key, turn it 45° to the right or left. Keep key at this angle for the next step.



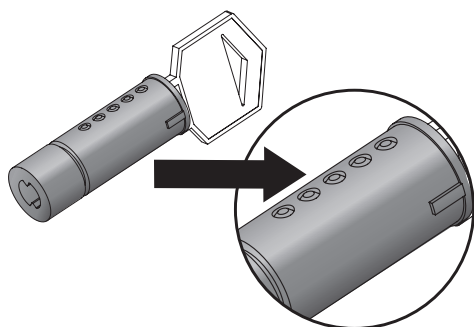
**3** Use the flat end of the plug follower to push the plug slowly and evenly out from the back. Make sure the follower sticks out at least an inch. **Leave it in place until you reassemble.**



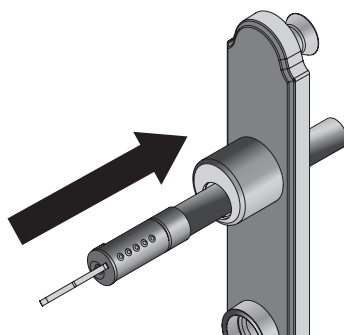
**4** Dump and discard the old pins. Gauge the new key to determine correct pin combination. Remove old key and insert new key.



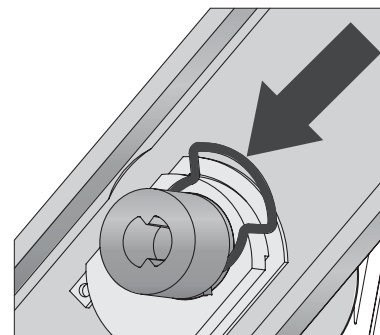
**5** Install the new pins according to the bitting (combination) of the new key. You can use a tweezers to help insert the pins.



**6** If all the bottom pins are the proper size for the key, they will be at the shear line -- even with the top surface of the plug. Check this carefully. A pin which is too long will prevent insertion of the plug while the key is inserted. A pin which is too short will allow the cylinder to lock up with no key operation!



**7** Reassemble the same way. Turn the key 45° to the right or left. Use the plug to push the follower back through the cylinder gently and evenly.



**8** Install the plug retaining clip. Test for proper operation.