

Hidden Closer Removal

INSTRUCTIONS

202220980-0221

Read the complete instructions before proceeding with installation.

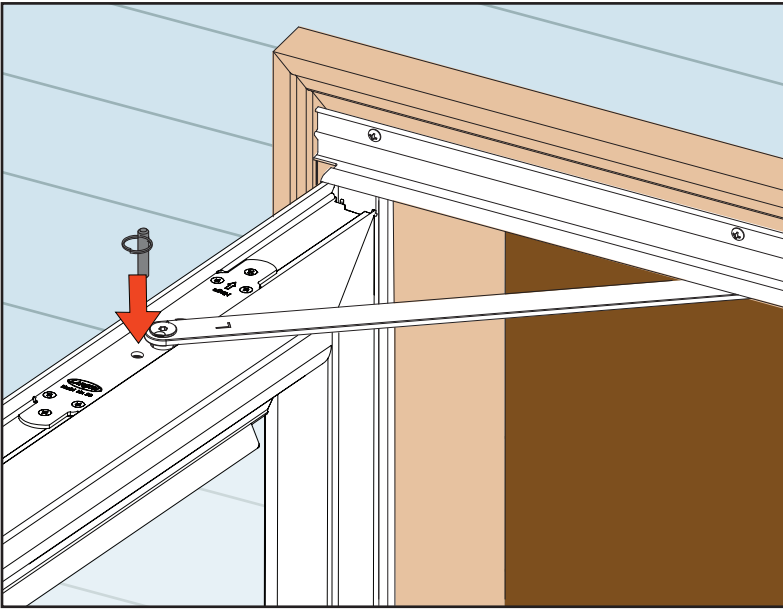
Failure to follow these instructions may result in injury.

Left-Hinged door shown.

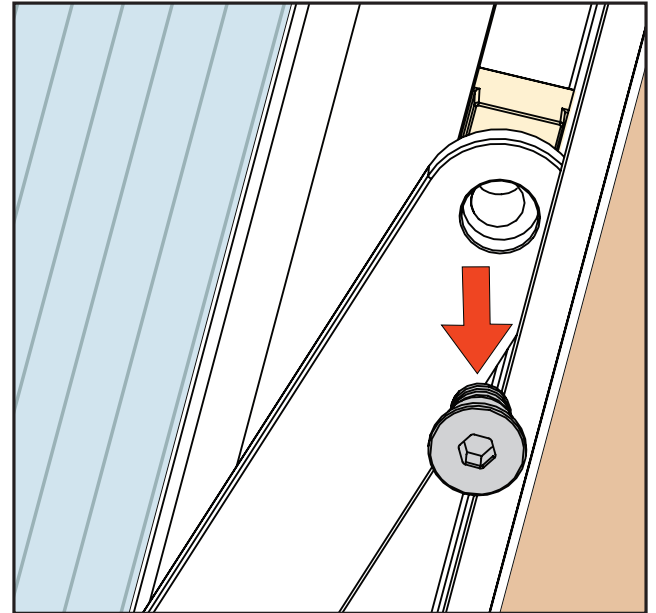
Tools needed: Step Stool and Phillips Screwdriver

Removing the Closer

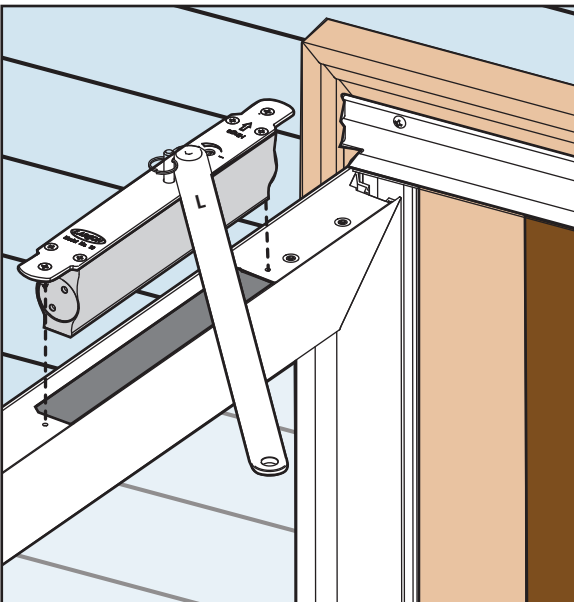
Step 1: Open the door far enough to place the hold open pin included in your replacement kit into the hole in the closer. Then, slowly close the door until the closer arm makes contact with the hold open pin.



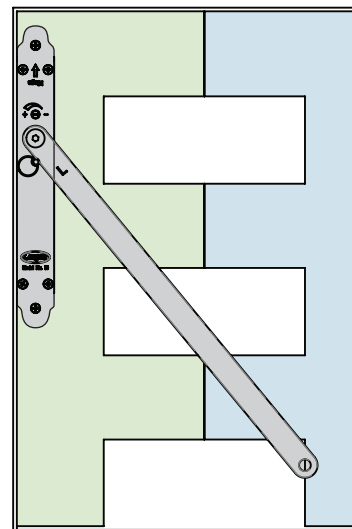
Step 2: Use the provided Allen wrench to remove the slider bolt that attaches the closer arm to the slider pad in the drip cap. **Always stand under and clear of the closer arm when removing the set screw.**



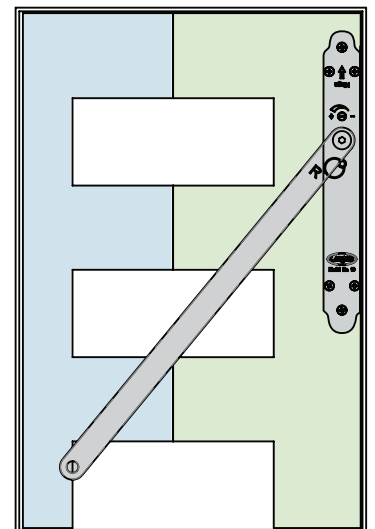
Step 3: Using a Phillips screwdriver, loosen the two installation screws on each end of the closer plate. Lift the closer out of the door. **Do not remove the closer pin as the arm is still under tension.**



Step 4: Place the closer into the plastic bag with the pin still in place. (The arm will stick out the bag opening). Rearrange the foam blocks in the box and position the closer as shown. Tape the box closed and place it in your trash receptacle.



Left Hinged



Right Hinged

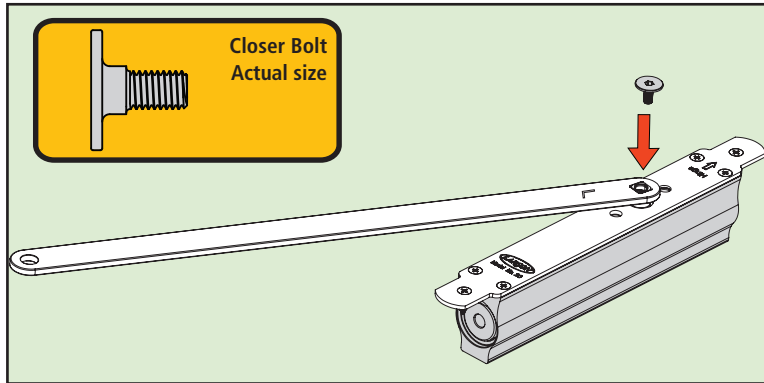
Hidden Closer Installation – Left Hinged

INSTRUCTIONS

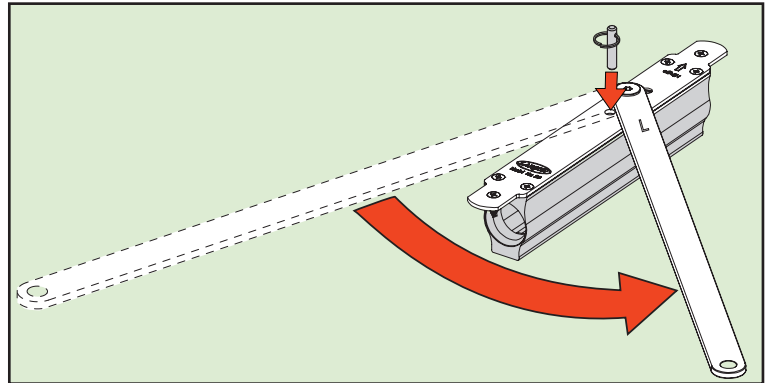
Follow the instructions that match your hinge orientation.

Left-Hinged door shown.

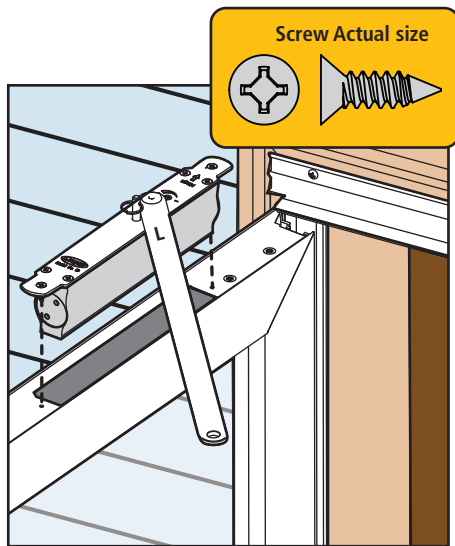
5a
Mount closer arm to the top of the closer in the orientation shown. The "L" designator on the closer arm must be visible when installed. Securely fasten the closer bolt with the provided Allen wrench.



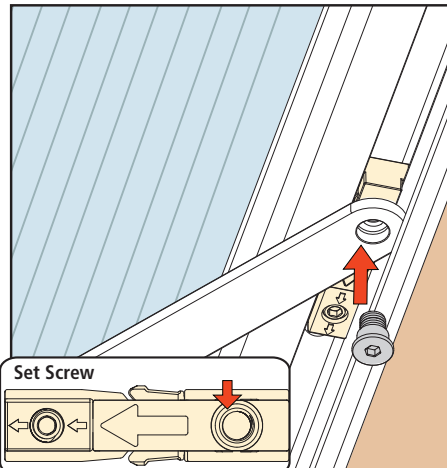
5b
Holding the closer with one hand, rotate the arm 90 degrees. Hold the arm open and install the provided installation pin into the hole on the closer. **NOTE: The closer arm is under pressure and will begin to return to original position when released.**



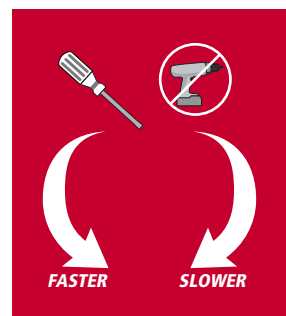
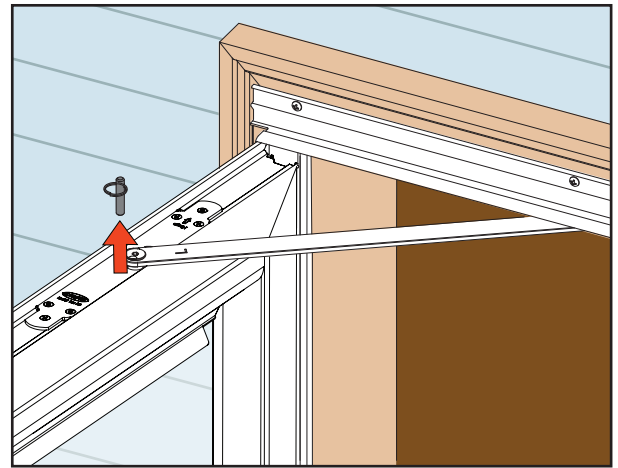
5c
Install the closer into the top pocket of the door with the two flat head mounting screws. The hinge arrow on the closer must be pointing towards the door hinge.



5d
Close the door slowly to align the holes of the closer arm and the slider pad with each other. Install the slider bolt with the provided Allen wrench. **To avoid binding, do not over tighten. Note: Slider pad shape may vary.**



5e
Open the door and remove the installation pin and open and close the door to test the closer operation. As a precaution, do not position any part of yourself between the closer arm and the door.



5f
If needed, adjust closer speed on top of the closer using a flat head screwdriver 1/8 turn at a time.

Do not use a power screwdriver.

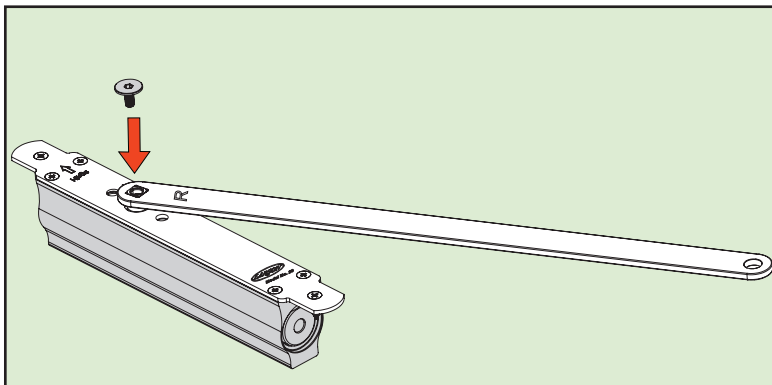
Hidden Closer Installation – Right Hinged

INSTRUCTIONS

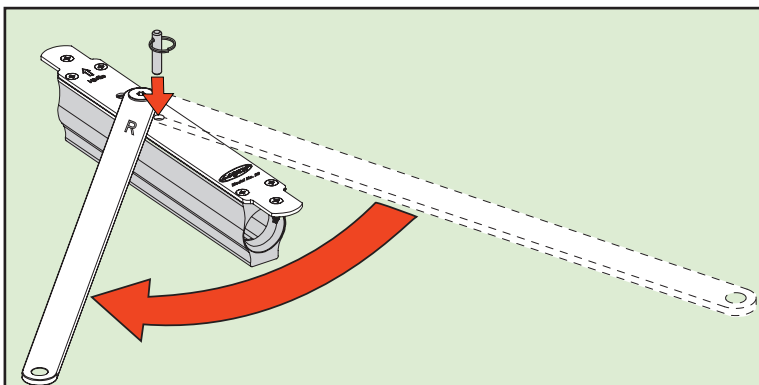
Follow the instructions that match your hinge orientation.

Right-Hinged door shown.

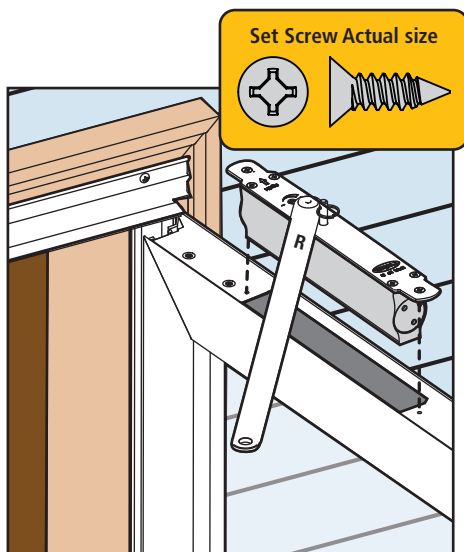
5a
Mount closer arm to the top of the closer in the orientation shown. The "R" designator on the closer arm must be visible when installed. Securely fasten the closer bolt with the provided Allen wrench.



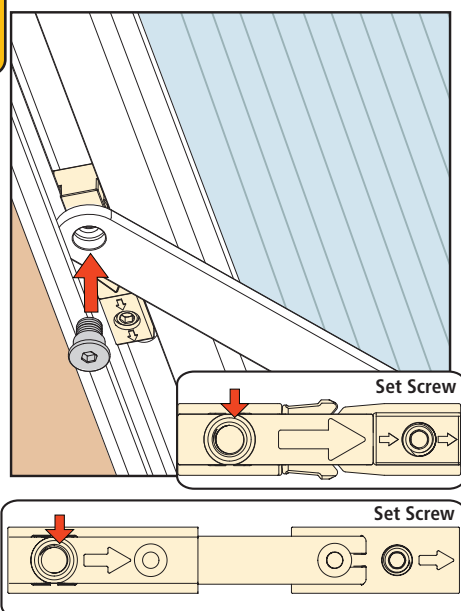
5b
Holding the closer with one hand, rotate the arm 90 degrees. Hold the arm open and install the provided installation pin into the hole on the closer. **NOTE: The closer arm is under pressure and will begin to return to original position when released.**



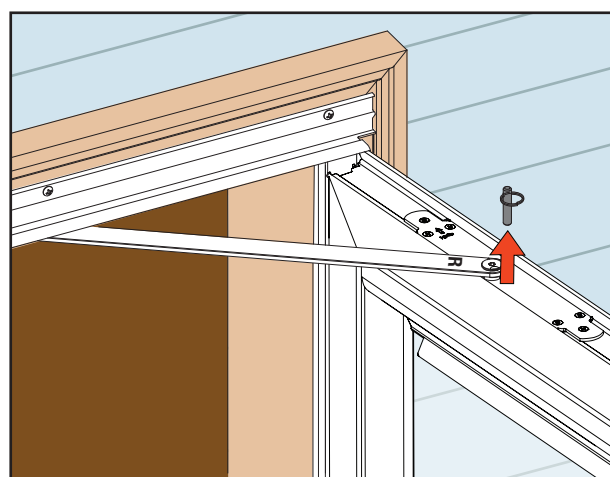
5c
Install the closer into the top pocket of the door with the two flat head mounting screws. The hinge arrow on the closer must be pointing towards the door hinge.



5d
Close the door slowly to align the holes of the closer arm and the slider pad with each other. Install the slider bolt with the provided Allen wrench. **To avoid binding, do not over tighten. Note: Slider pad shape may vary.**



5e
Open the door and remove the installation pin and open and close the door to test the closer operation. As a precaution, do not position any part of yourself between the closer arm and the door.



5f
If needed, adjust closer speed on top of the closer using a flat head screwdriver 1/8 turn at a time.

Do not use a power screwdriver.

