



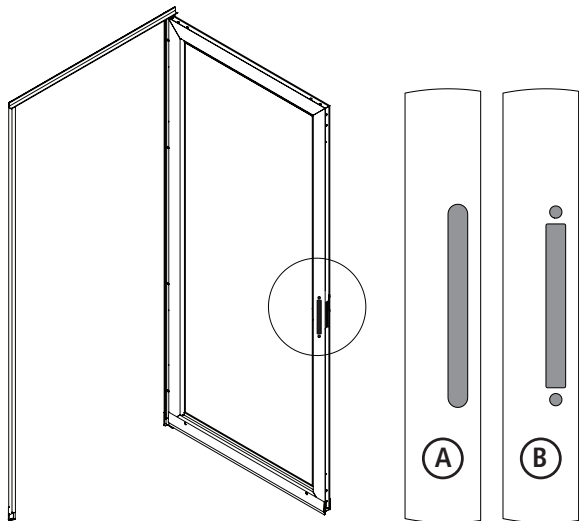
350 Series Handle Supplement

202221025

1.

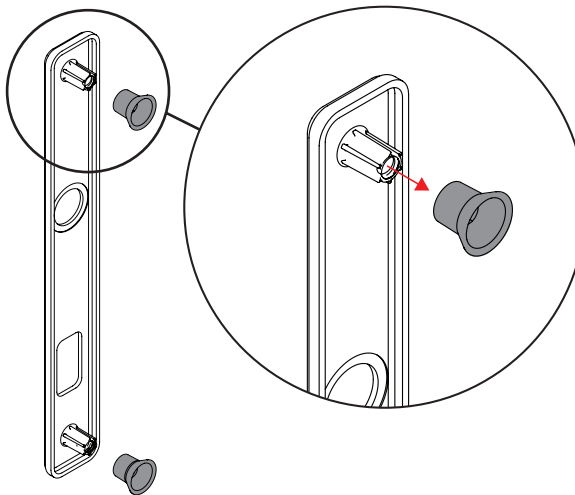
Determine if your door resembles Figure A or B.

NOTE: If your door resembles Figure A, continue with handle installation using the instructions provided in handle kit.



2.

If your door resembles Figure B, please remove the (2) black funnels from the outside trim plate and discard. Pull straight off, do not twist.



3.

Continue with handle installation using the instructions provided in handle kit.